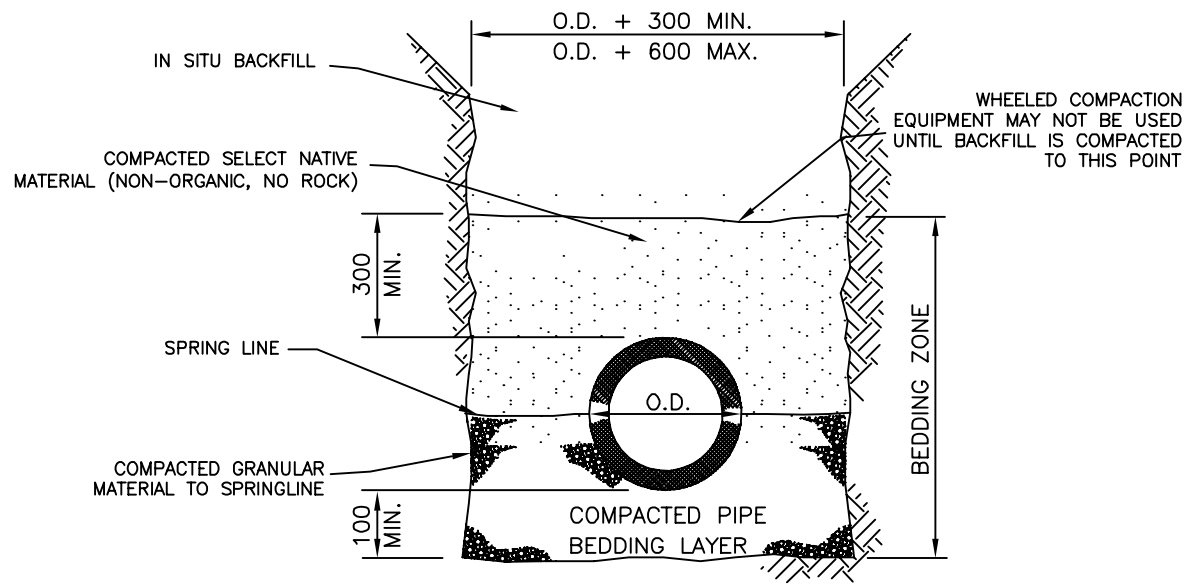


WATER & STANDARD FLEXIBLE SEWER PIPE

NOTES:

1. COMPACTION OF BEDDING ZONE AND IN SITU BACKFILL SHALL BE AS PER SPECIFICATIONS. (MIN. 98% S.P.D.).
2. MAXIMUM 150mm COMPACTED LIFT DEPTH FOR ALL COMPACTED MATERIALS.
3. ALL DIMENSIONS ARE GIVEN IN MILLIMETRES UNLESS OTHERWISE STATED.
4. BACKFILL COMPACTION REQUIREMENTS WILL VARY. BACKFILL ABOVE PIPE ZONE TO BE APPROVED MATERIAL.
5. TRENCH SIDE SLOPES TO BE CONSISTENT WITH OCCUPATIONAL HEALTH AND SAFETY REQUIREMENTS.



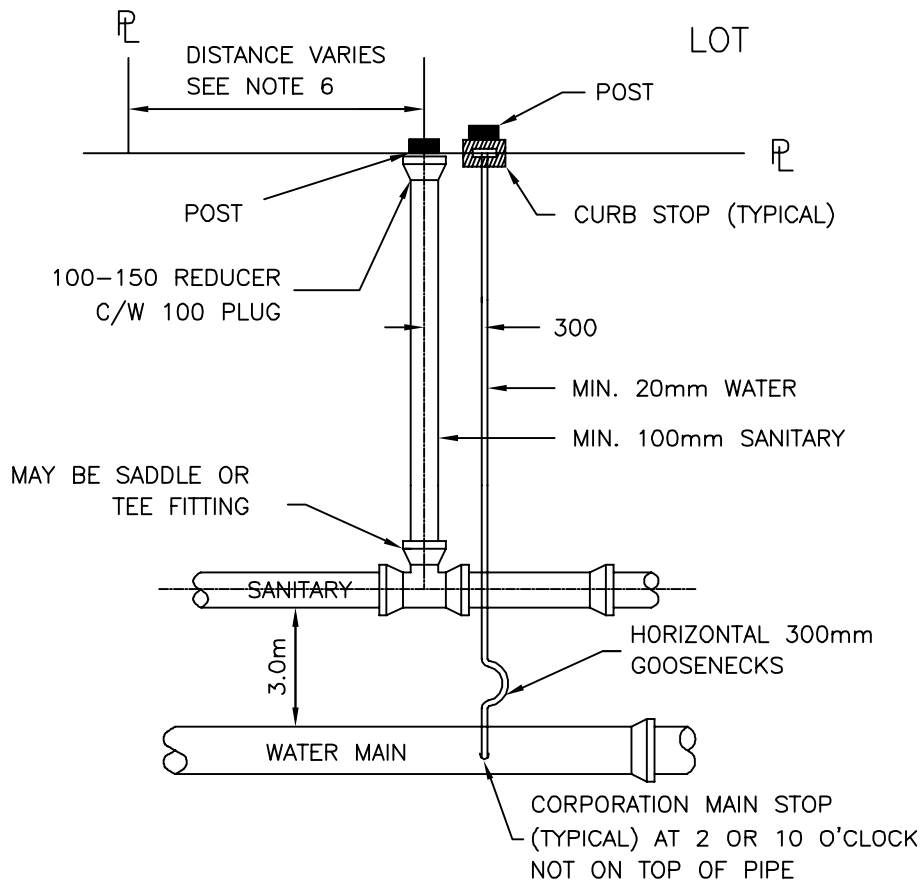
STANDARD RIGID SEWER PIPE

TITLE: STANDARD DETAILS	
SCALE: N.T.S.	
DATE: SEPTEMBER 2014	
STD. DWG NO.	C-100

TRENCHING & PIPE BEDDING
DETAILS



TYPICAL SERVICE



NOTES:

1. THE CITY IS NOT RESPONSIBLE FOR OWNERSHIP OR MAINTENANCE OF SERVICES ON PRIVATE PROPERTY.
2. ENDS OF SERVICES TO BE MARKED WITH A 50mm x 100mm STAKE PROTRUDING 700mm ABOVE GROUND PAINTED AS FOLLOWS:
 - A. CURBSTOP – BLUE
 - B. END OF WATER SERVICE INSIDE PRIVATE PROPERTY – BLUE
3. WHERE STORM SEWER SERVICE IS TO BE INSTALLED, PLACE 0.3m FROM SANITARY ON FAR SIDE FROM WATER.
4. SEWER SERVICES MUST BE PROPERLY CAPPED.
5. ALL DIMENSIONS GIVEN IN MILLIMETRES UNLESS OTHERWISE STATED.
6. SERVICES SHALL BE LOCATED 3 m FROM SIDE YARD FURTHEST FROM GARAGE. SEE STANDARD DRAWING C-101A
7. THE CITY MAY REQUIRE ALTERNATE PLACEMENT OF CURB STOP.

TITLE:

STANDARD DETAILS

SCALE: N.T.S.

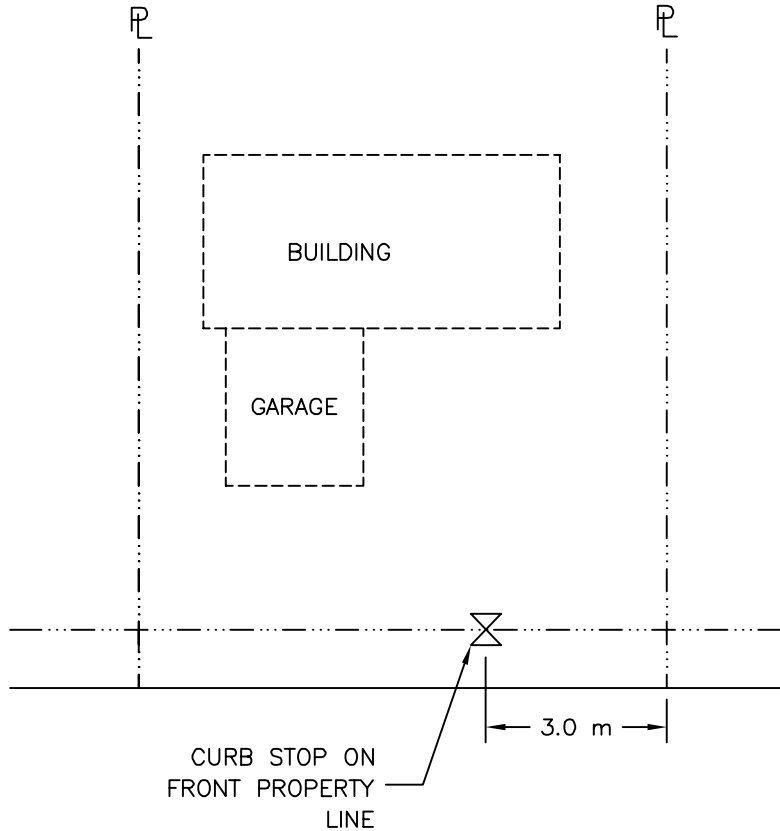
DATE: JANUARY 2015

STD. DWG NO.

C-101

SINGLE AND DOUBLE
SERVICE LAYOUT





LOT PLANS WITH SERVICE LOCATIONS

N.T.S

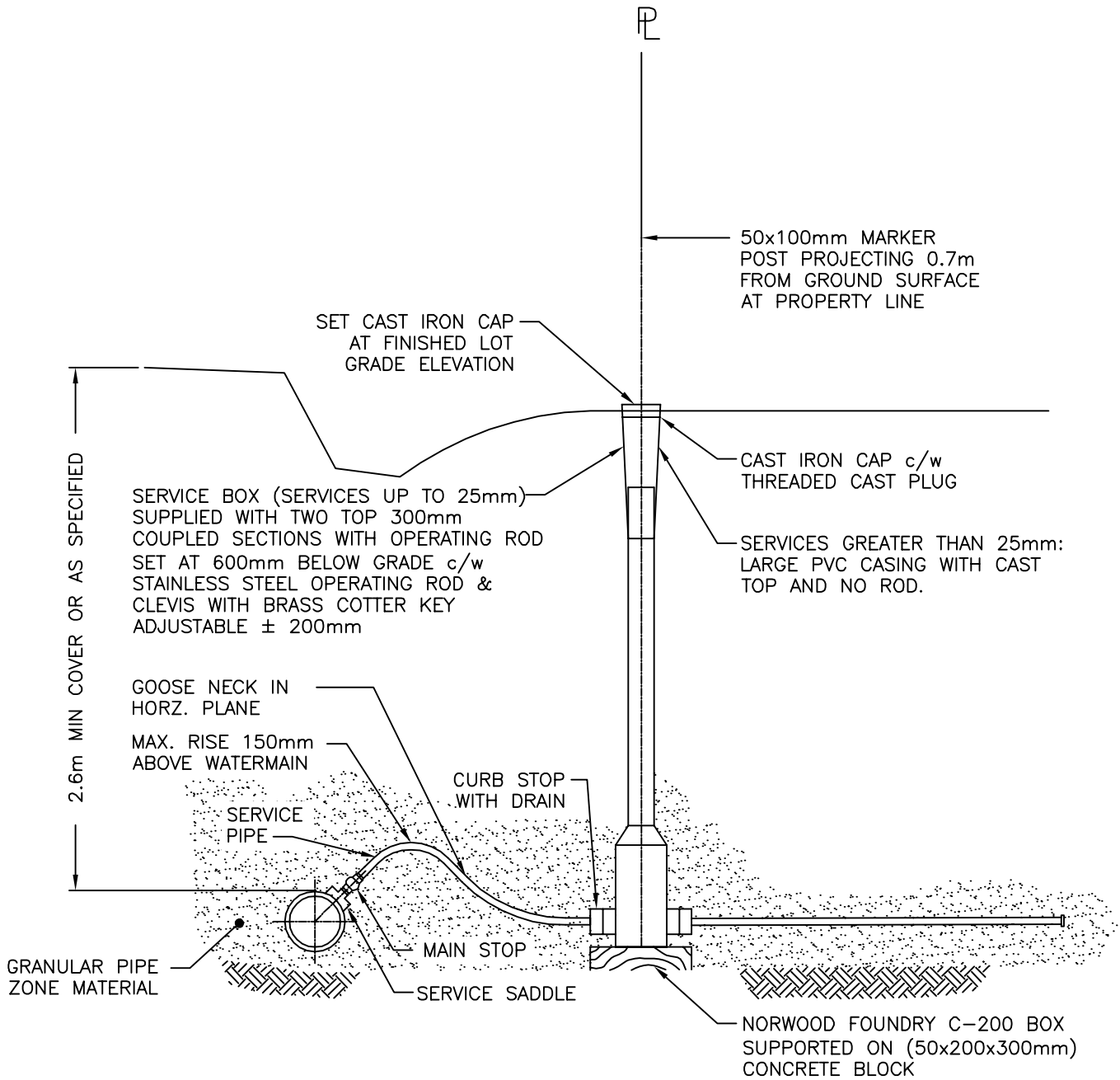
NOTES:

1. ENDS OF SERVICES TO BE MARKED WITH A 50mm x 100mm STAKE PROTRUDING 700mm ABOVE GROUND
PAINTED AS FOLLOWS:
 - A. CURBSTOP – BLUE
 - B. END OF WATER SERVICE INSIDE PRIVATE PROPERTY – BLUE
2. ALL DIMENSIONS GIVEN IN MILLIMETRES UNLESS OTHERWISE STATED.
3. THE CITY MAY REQUIRE ALTERNATE PLACEMENT OF CURB STOP.

TITLE: STANDARD DETAILS	
SCALE: N.T.S.	
DATE: MARCH 2015	
STD. DWG NO.	C-101A

SEWER AND WATER SERVICE
LOCATIONS

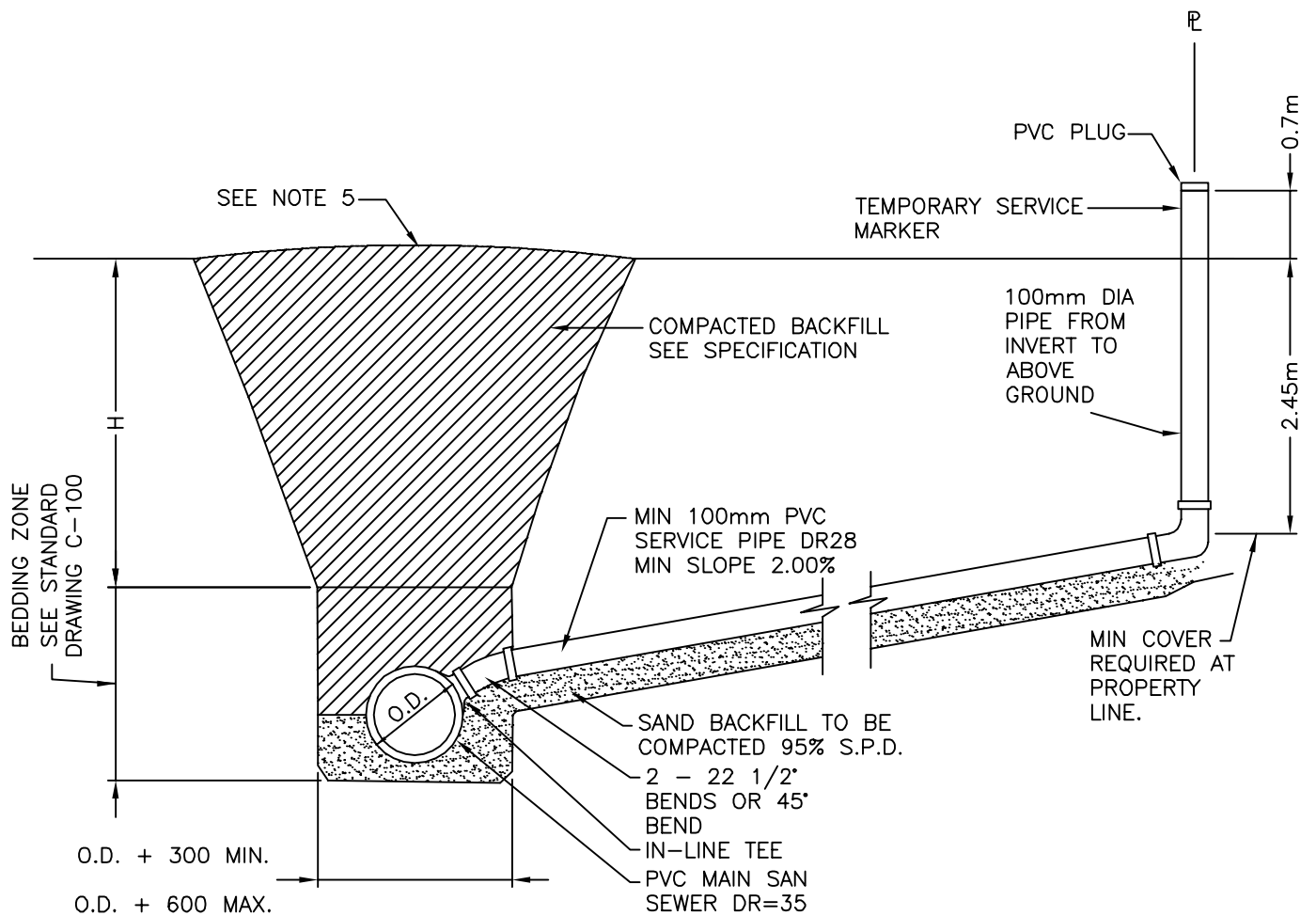




TITLE:	
STANDARD DETAILS	
SCALE: N.T.S.	
DATE: JANUARY 2015	
STD. DWG NO.	C-102

TYPICAL WATER SERVICE CONNECTION





NOTES:

1. WHEN CUT BACK SLOPES ARE TO BE USED IN LIEU OF CAGES AND SHORING, THESE SLOPES ARE TO MEET REQUIREMENTS OF LOCAL CODES.
2. SEE SPECIFICATIONS FOR MINIMUM COVER ABOVE PIPE.
3. MIN. PIPE ZONE WIDTH IS SPECIFIED TO ALLOW PROPER PIPE ZONE COMPACTION.
4. O.D. = OUTSIDE PIPE DIAMETER.
5. FOR UNCOMPACTED BACKFILL, CROWN TRENCH BY $0.1 \times H$.

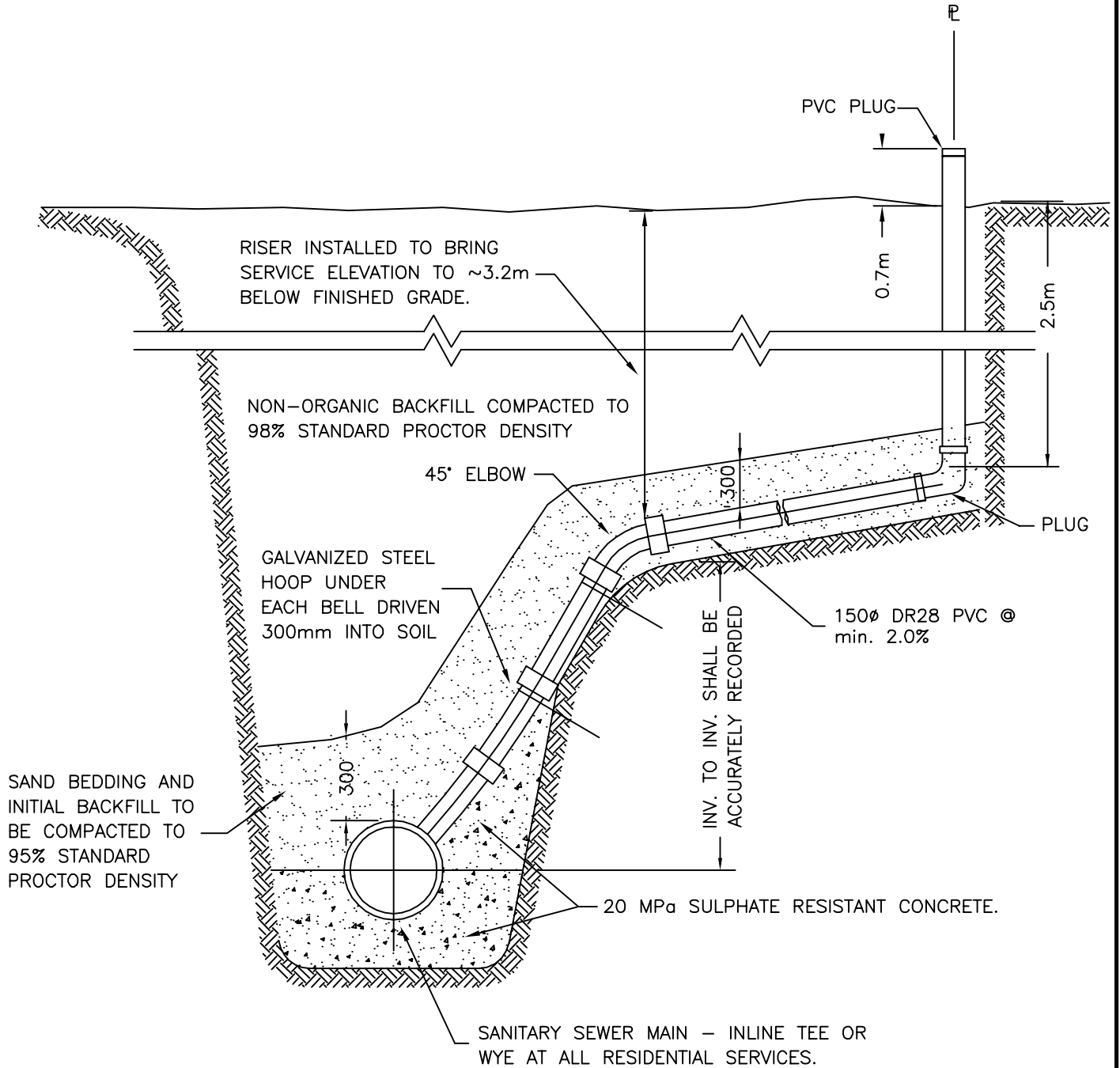
TITLE: STANDARD DETAILS	
SCALE: N.T.S.	
DATE: MARCH 2015	
STD. DWG NO.	C-103

TYPICAL SANITARY SERVICE CONNECTION



NOTES:

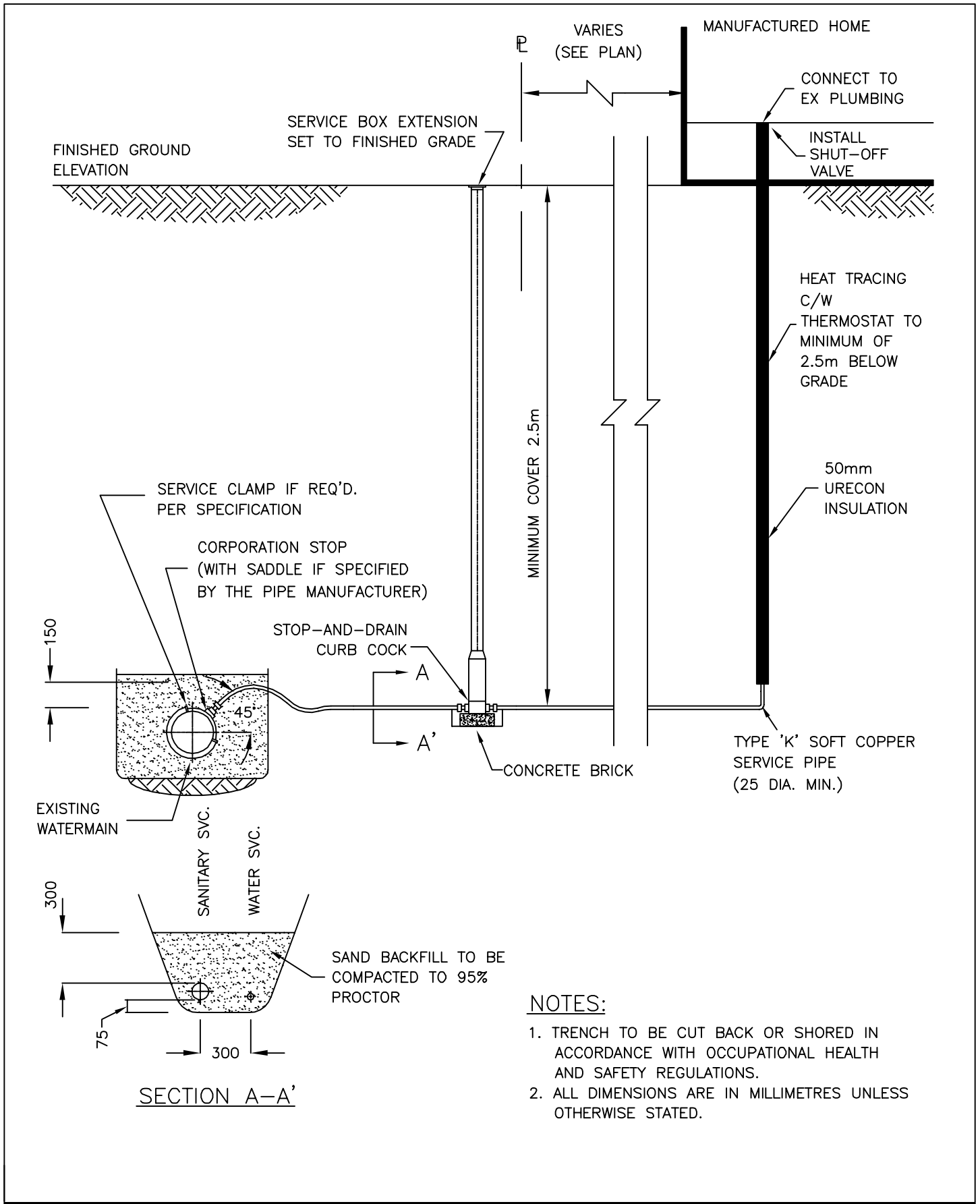
1. ALL DIMENSIONS IN MILLIMETRES UNLESS OTHERWISE STATED.



TITLE: STANDARD DETAILS	
SCALE: N.T.S.	
DATE: MARCH 2015	
STD. DWG NO.	C-104

RESIDENTIAL SANITARY SEWER SERVICE RISER CONNECTION

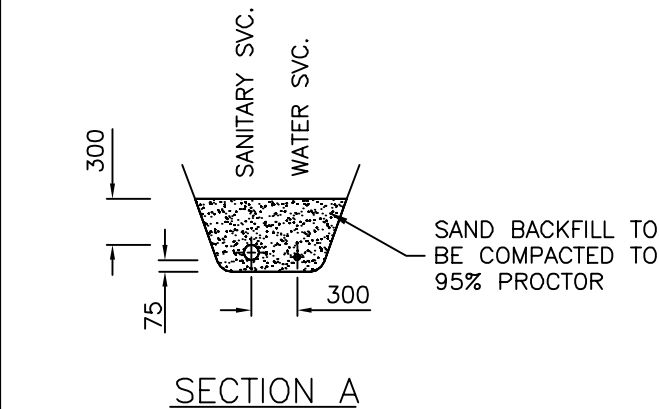
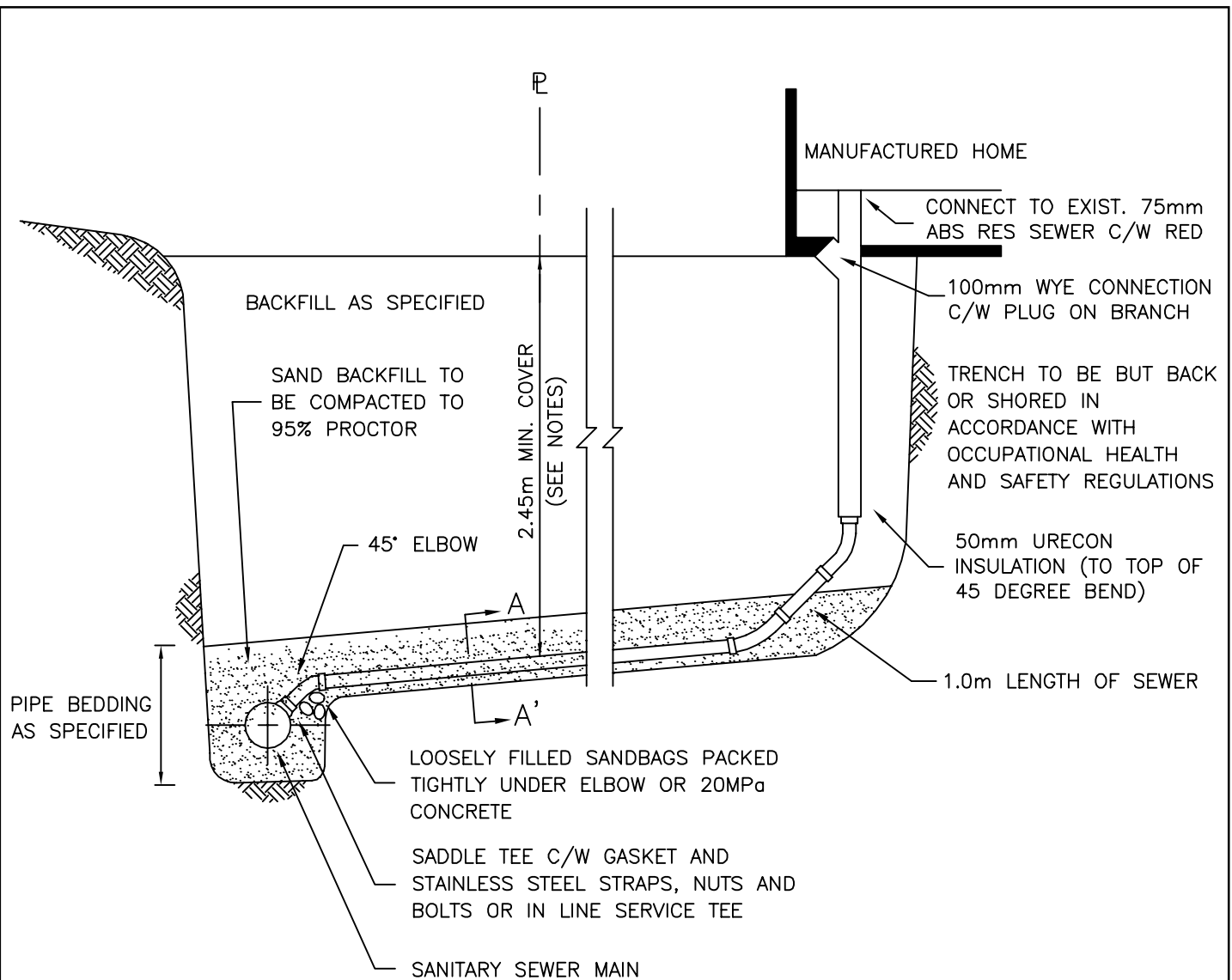




TITLE:	
STANDARD DETAILS	
SCALE: N.T.S.	
DATE: JANUARY 2015	
STD. DWG NO.	C-105

WATER SERVICE CONNECTION
MANUFACTURED HOME





NOTES:

1. MIN. SLOPE FOR 100mm DIA. PIPE IS 2%.
2. SERVICE CONNECTIONS SHALL BE 100mm UNLESS SPECIFICALLY SHOWN ON THE DRAWINGS.
3. 50mm URECON INSULATION WILL BE REQUIRED.
4. TRENCH TO BE CUT BACK OR SHORED IN ACCORDANCE WITH OCCUPATIONAL HEALTH AND SAFETY REGULATIONS.
5. ALL DIMENSIONS IN MILLIMETERS UNLESS OTHERWISE STATED.

TITLE: STANDARD DETAILS	
SCALE: N.T.S.	
DATE: JANUARY 2015	
STD. DWG NO.	C-106

SANITARY SERVICE CONNECTION
MANUFACTURED HOME

